

Spare Parts Catalogue

Version: 2008/08/12a EN



Invacare[®] **ORION**



Yes, you can.[®]

General Information

For any order of spare parts the following information is required:

- Product type
- Product name & model
- Serial Number
- Part-Number
- Part-Description

Exploded view drawings and code numbers are not contractual and subject to modification, in relation to Invacare® continuous product improvement policy to meet end users needs.

The reproduction or use of this work, or of any substantial part of this work, in any form or by any electronic, mechanical or other means, including photocopying, scanning and recording, and in any information storage and retrieval system, including electronic transmission, is forbidden without the prior written permission of Invacare® International Sarl.



Yes, you can.®

TABLE OF CONTENTS

Chassis

Frontframe 4-Wheeler	5
Front Shroud 4 Wheeler	6
Frame 3-Wheeler	7
Rear Frame	8
Front Shroud 3-Wheeler	9
Rear Shroud	10

Seat

Seat & Seatoptions	11
--------------------------	----

Front / Rear Wheel

Front Wheel 3 Wheeler	12
Front Wheel & Steering 4 Wheeler	13

Propulsion

Rear Wheels & Propulsion 6/10 km/h	14
Rear Wheels & Propulsion 12 km/h	15

Brakes

Brakes 3 Wheeler	16
Brakes 4 Wheeler	17

Steering

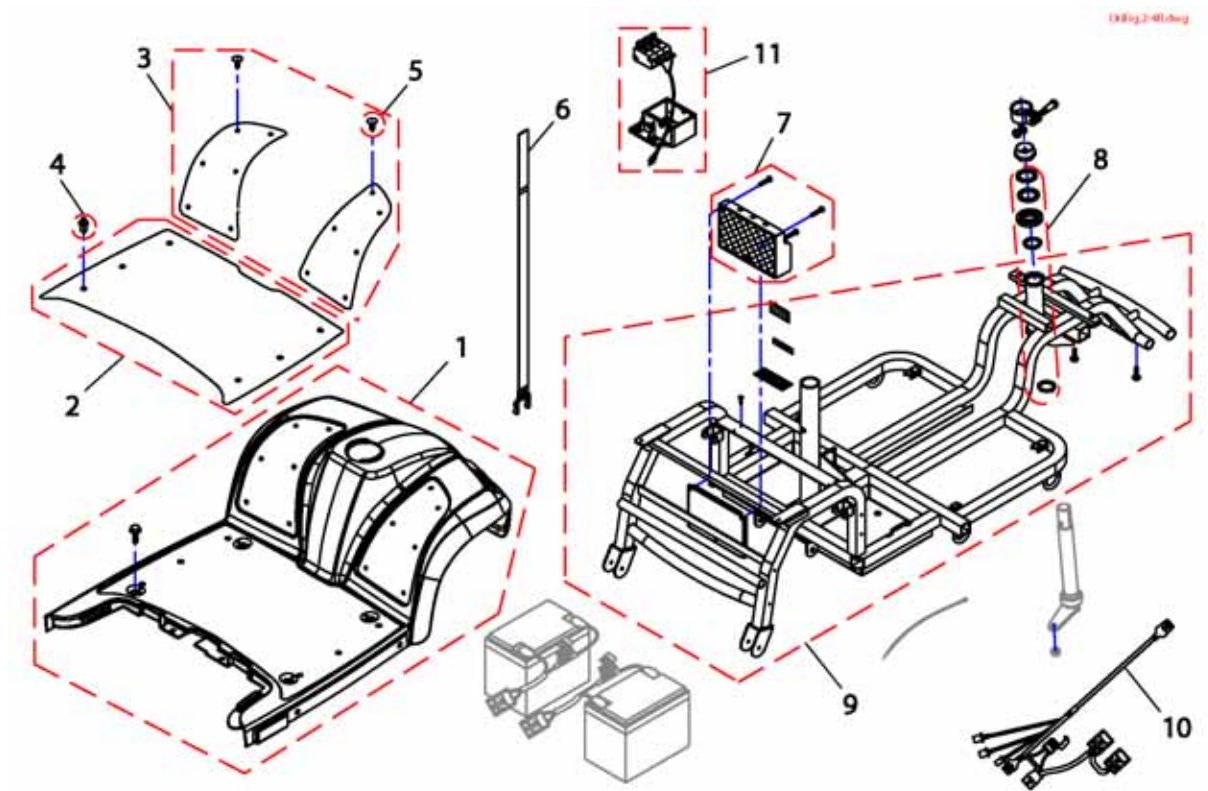
Steering	18
----------------	----

Cable and Charger

Cable & Charger	19
-----------------------	----

Other Options & Accessories

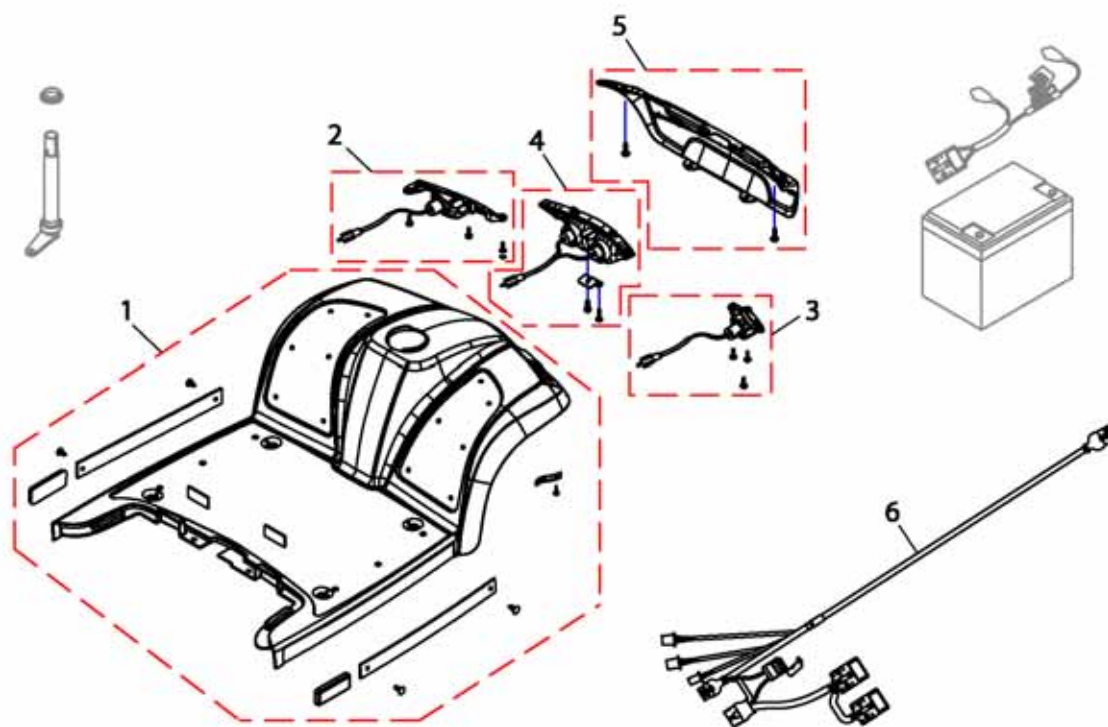
Accessories	20
User Manuals	21



Pos.	Part number	Description	Qty
1	SP1517290	Front Shroud 4 Wheeler, silver	1
1	SP1521654	Front Shroud 4 Wheeler, blue	1
2	SP1517291	Pad, Leg Shield	1
3	SP1517292	Pad Front RH/LH	1
4	1505476	Push Rivet, Pad	1
5	SP1505479	Tree Rivet (6 Pieces)	1
6	1505482	Band, Battery Comp.	1
7	SP1517316	Controller Rhino 70A	1
7	SP1517317	Controller Rhino 110A	1
8	SP1505487	Bearing	1
9	SP1517348	Front Frame 4 Wheeler	1
10	SP1517350	Wire harness, rear section	1
11	SP1521836	Speed Limit Switch 6 km/h	1
11	SP1522420	Speed Limit Switch 10 km/h	1
11	SP1522027	Speed Limit Switch 12 km/h	1

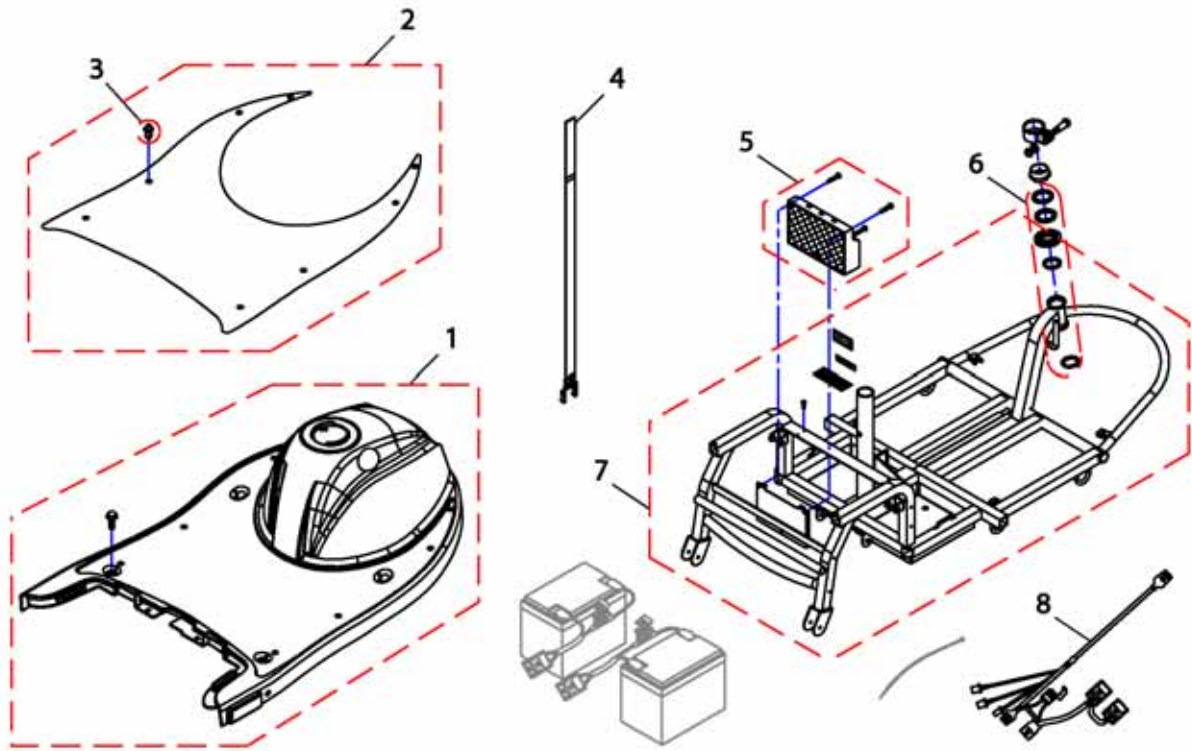
Front Shroud 4 Wheeler

08Fig 2-1-451.dwg



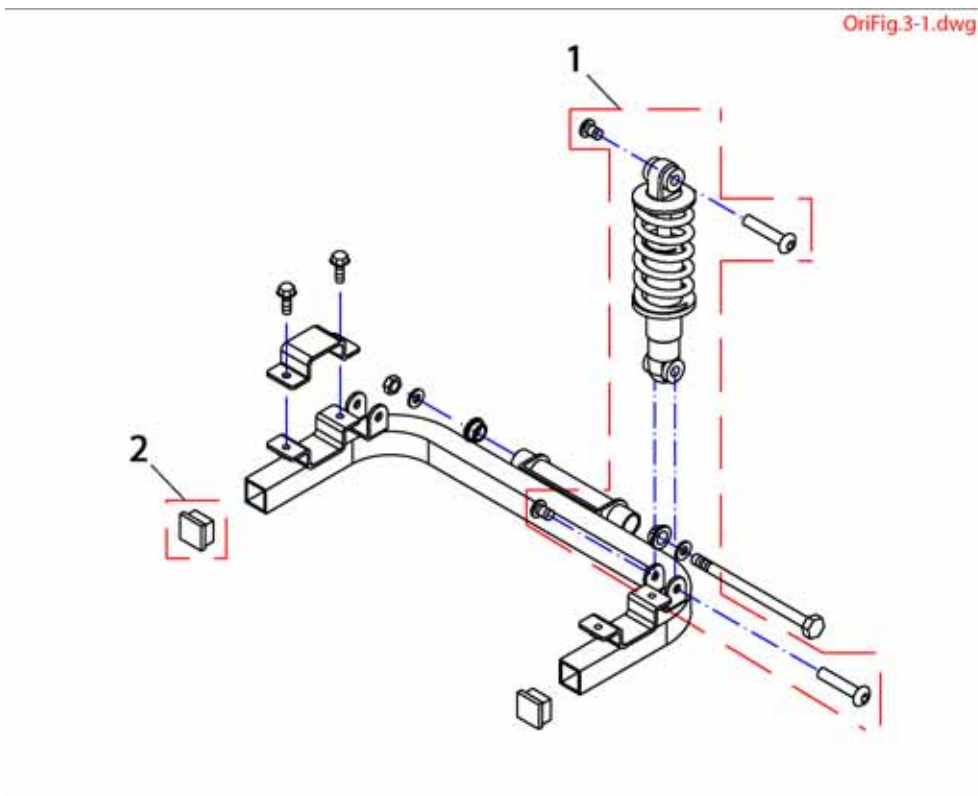
Pos.	Part number	Description	Qty
1	SP1517290	Front Shroud 4 Wheeler, silver	1
1	SP1521654	Front Shroud 4 Wheeler, blue	1
2	SP1517733	Turn Signal LH	1
3	SP1517734	Turn Signal RH	1
4	SP1517878	Head Light, cmpl.	1
5	SP1517881	Cover Bumper Front	1
6	SP1517350	Wire harness, rear section	1
7	SP1522030	Bulb Turn Signal 24V/10W	1
8	SP1522029	Bulb Head Light 24V/21W	1

08192 3126nj



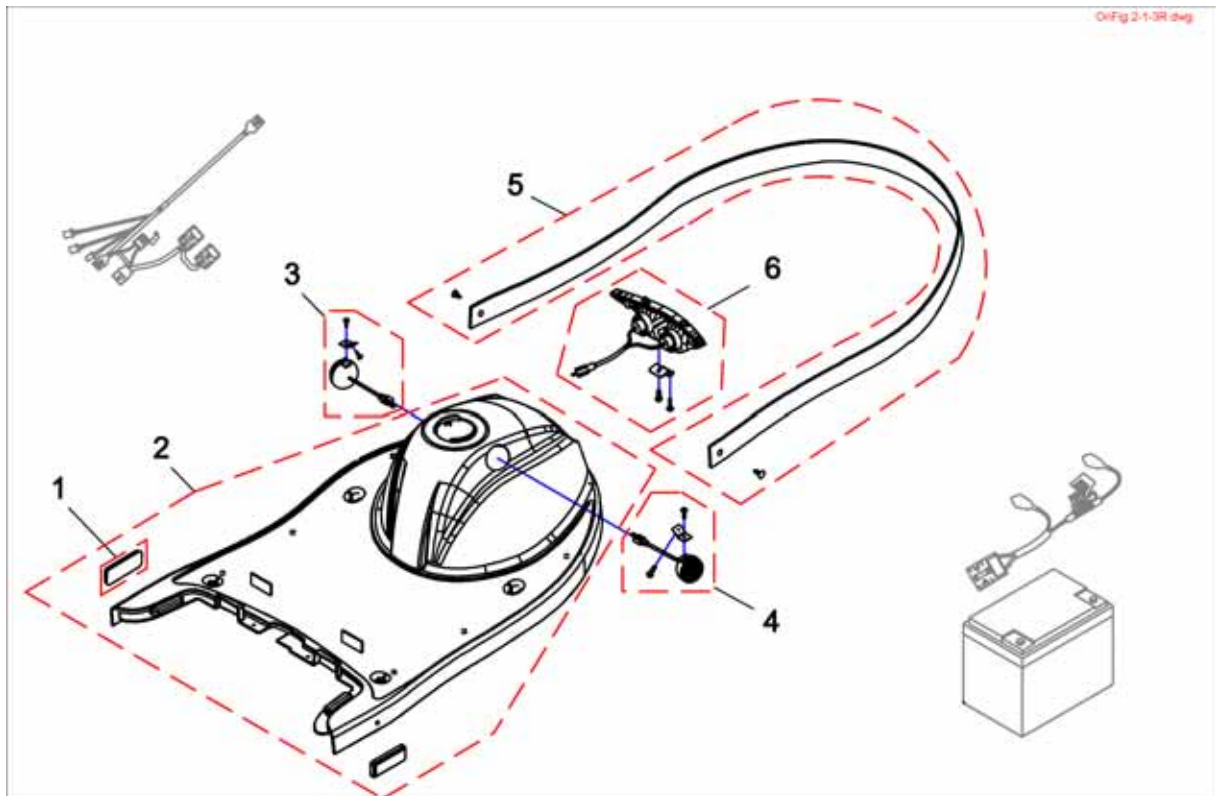
Pos.	Part number	Description	Qty
1	SP1517882	Front Shroud 3 Wheeler, silver	1
1	SP1521655	Front Shroud 3 Wheeler, blue	1
2	SP1518014	Pad, Leg Shield	1
3	1505476	Push Rivet, Pad	1
4	1505482	Band, Battery Comp.	1
5	SP1517316	Controller Rhino 70A	1
5	SP1517317	Controller Rhino 110A	1
6	SP1505487	Bearing	1
7	SP1518015	Frame 3 Wheeler	1
8	SP1517350	Wire harness, rear section	1

Rear Frame



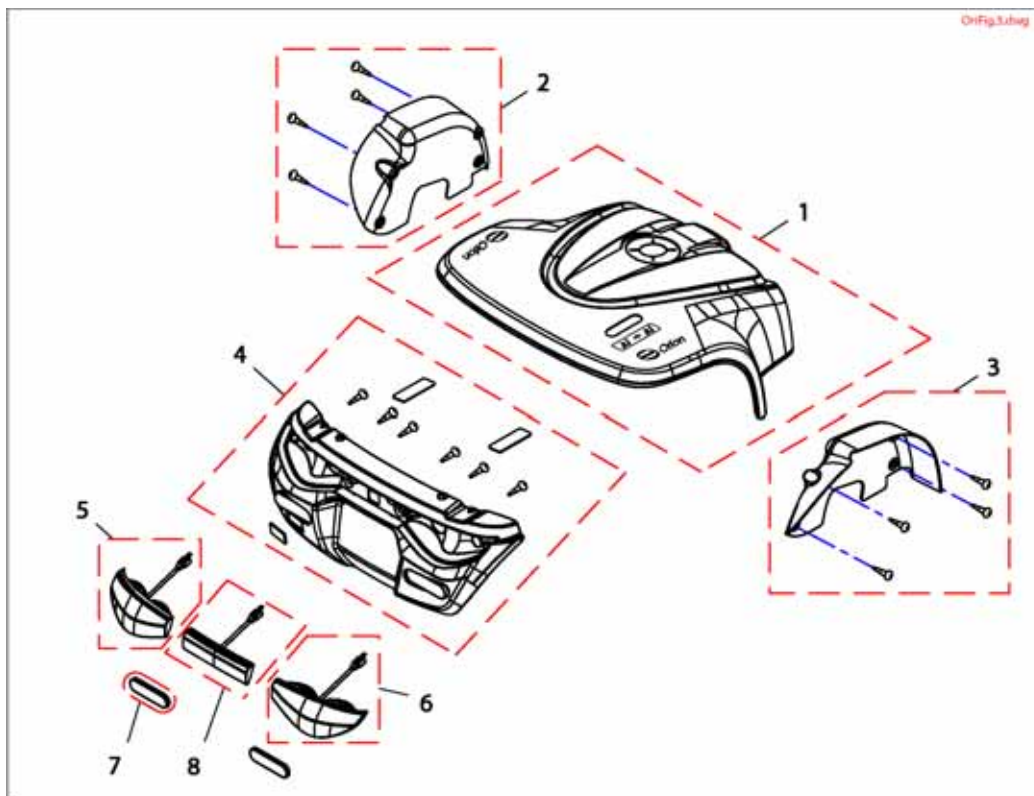
Pos.	Part number	Description	Qty
1	SP1521600	Shock Absorber	1
2	SP1521597	Plug, Cane Bracket	1

Front Shroud 3-Wheeler



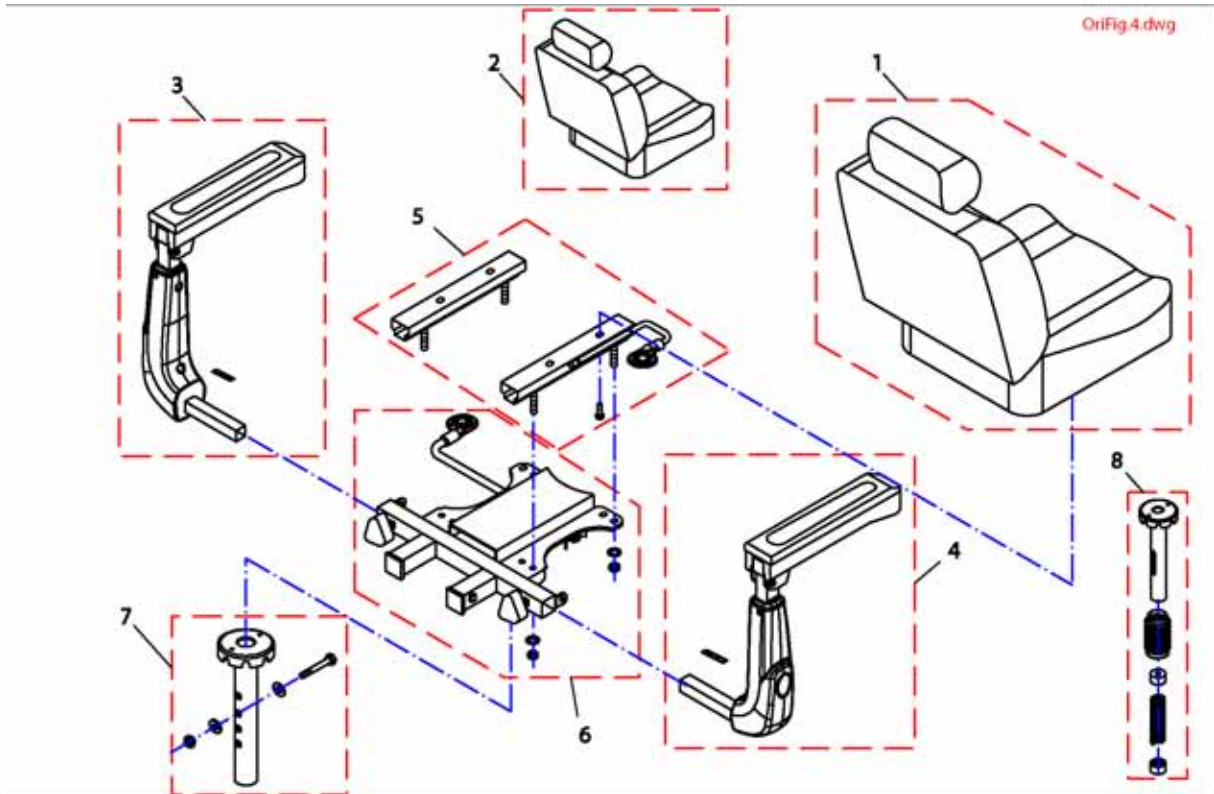
Pos.	Part number	Description	Qty
1	SP1517331	Reflector	1
2	SP1517882	Front Shroud 3 Wheeler, silver	1
2	SP1521655	Front Shroud 3 Wheeler, blue	1
3	SP1518016	Turn Signal LH	1
4	SP1518017	Turn Signal RH	1
5	SP1518012	Moulding	1
6	SP1517878	Head Light, compl.	1
7	SP1522030	Bulb Turn Signal 24V/10W	1
8	SP1522029	Bulb Head Light 24V/21W	1

Rear Shroud



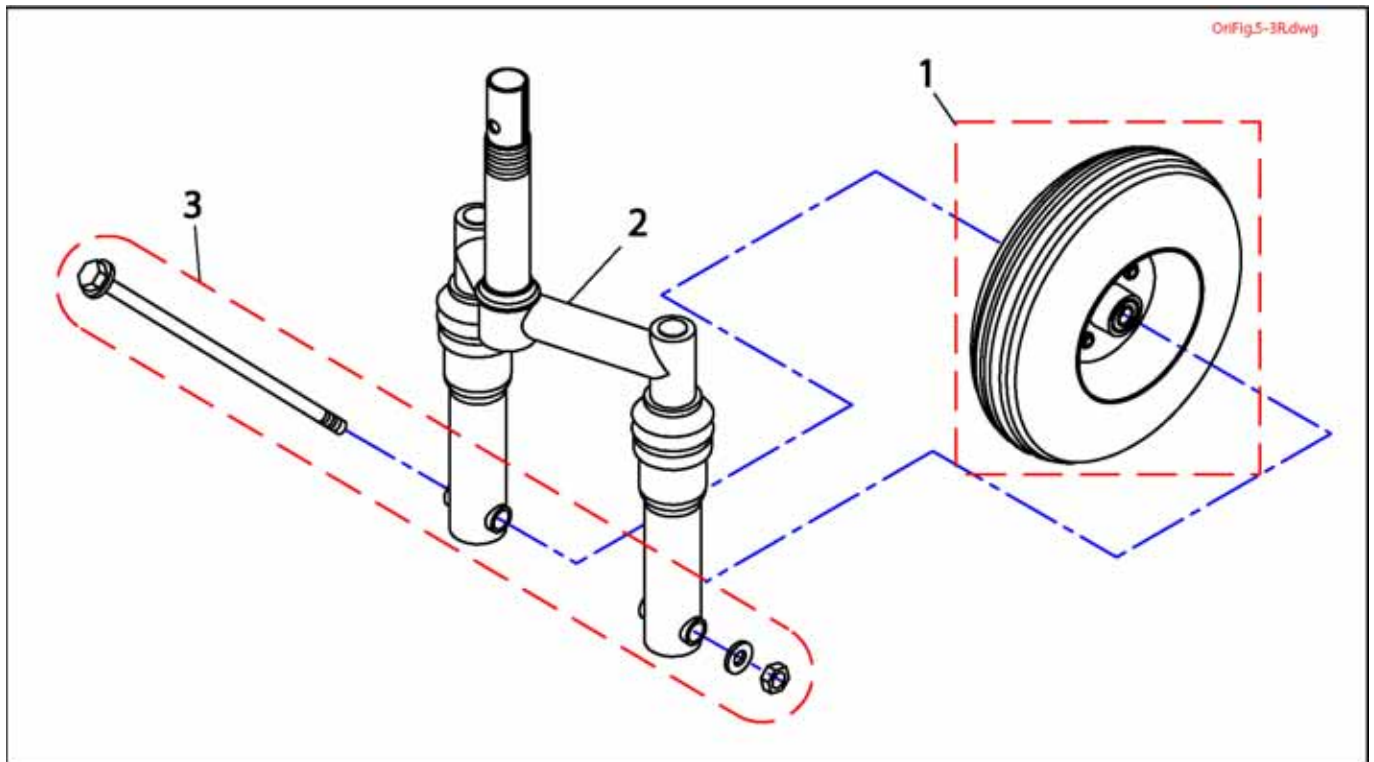
Pos.	Part number	Description	Qty
1	SP1518031	Rear Shroud cmpl., silver	1
1	SP1521658	Rear Shroud cmpl., blue	1
2	SP1518030	Fender LH	1
3	SP1518029	Fender RH	1
4	SP1518032	Cover Bumper Rear	1
5	SP1518034	Turn Signal Rear LH	1
6	SP1518033	Turn Signal Rear RH	1
7	SP1518036	Reflector-R, E-Mark	1
8	SP1518035	Neon Light, cmpl.	1
9	SP1522030	Bulb Turn Signal 24V/10W	1
10	SP1522034	Bulb Rear Light 24V/5W	1

Seat & Seatoptions



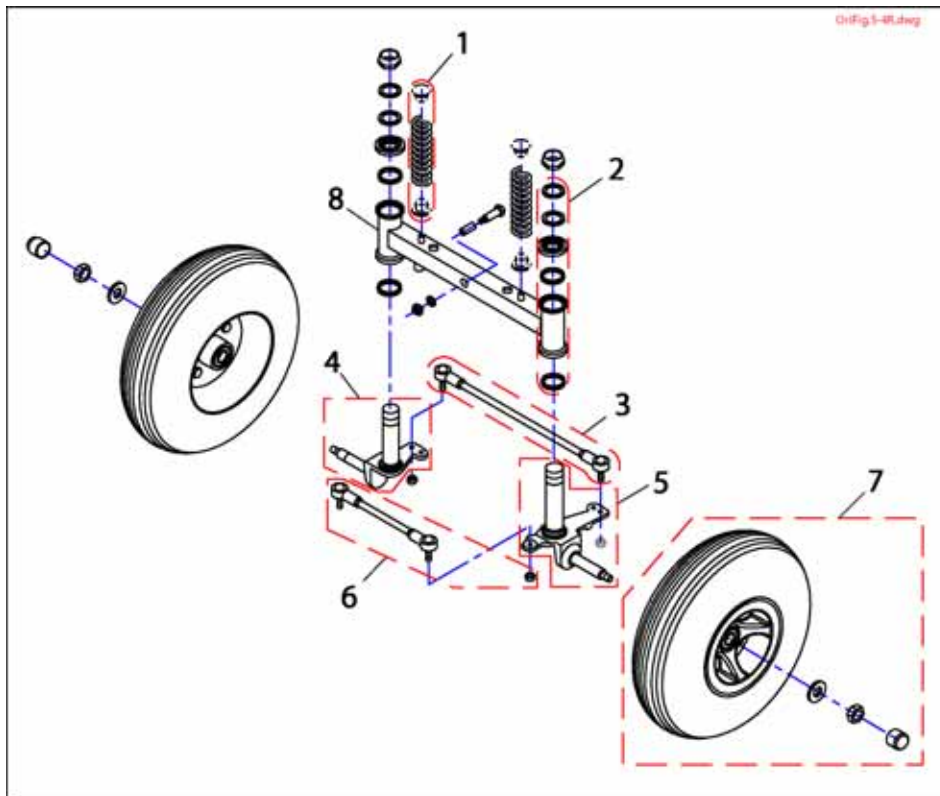
Pos.	Part number	Description	Qty
1	SP1521687	Standart Seat	1
2	SP1521693	Seat 22 inch	1
3	SP1521689	Armrest LH	1
4	SP1521688	Armrest RH	1
5	SP1521690	Slide Assembly	1
6	1505533	Seat Bracket Assembly	1
7	SP1521691	Seatbracket Standart	1
8	SP1521624	Shock Absorber Seat	1

Front Wheel 3 Wheeler



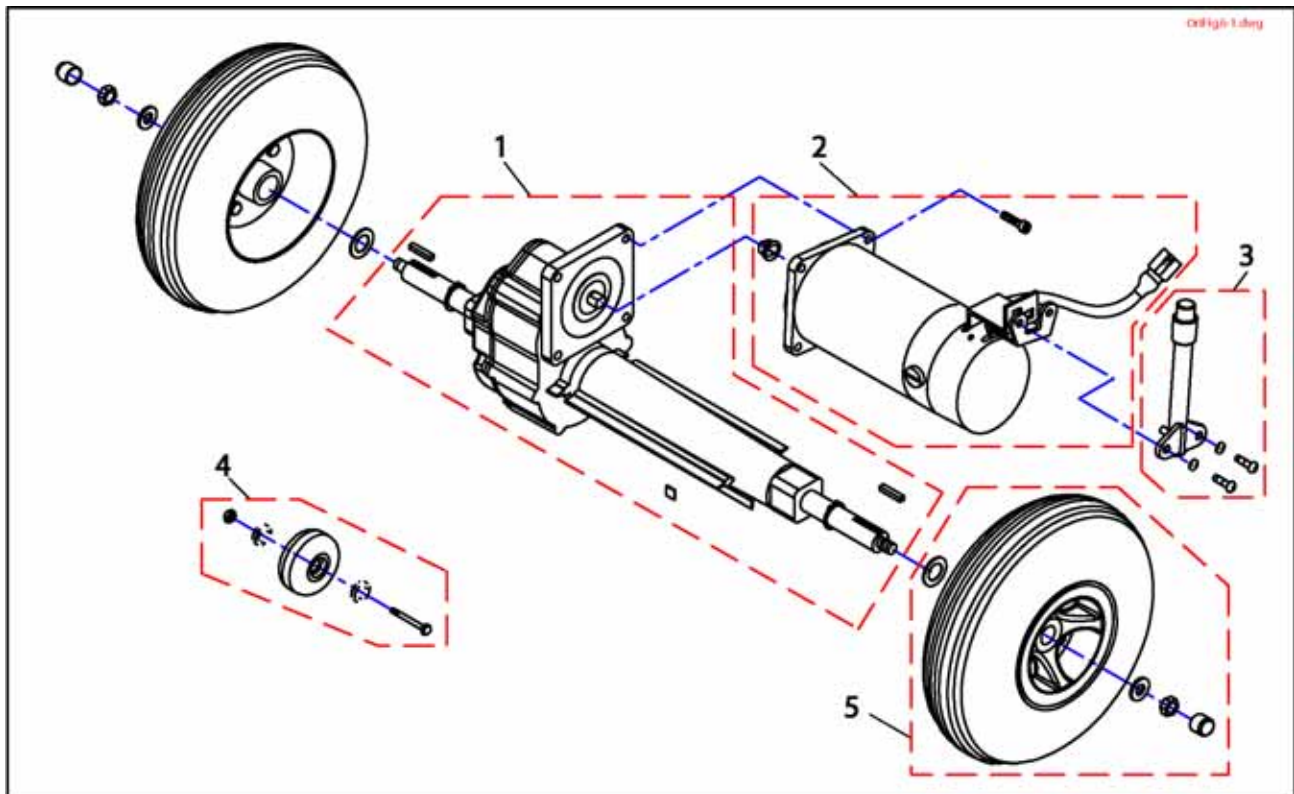
Pos.	Part number	Description	Qty
1	SP1521587	Frontwheel compl.	1
2	SP1518058	Fork Assembly compl.	1
3	SP1518069	Axle, Front	1

Front Wheel & Steering 4 Wheeler



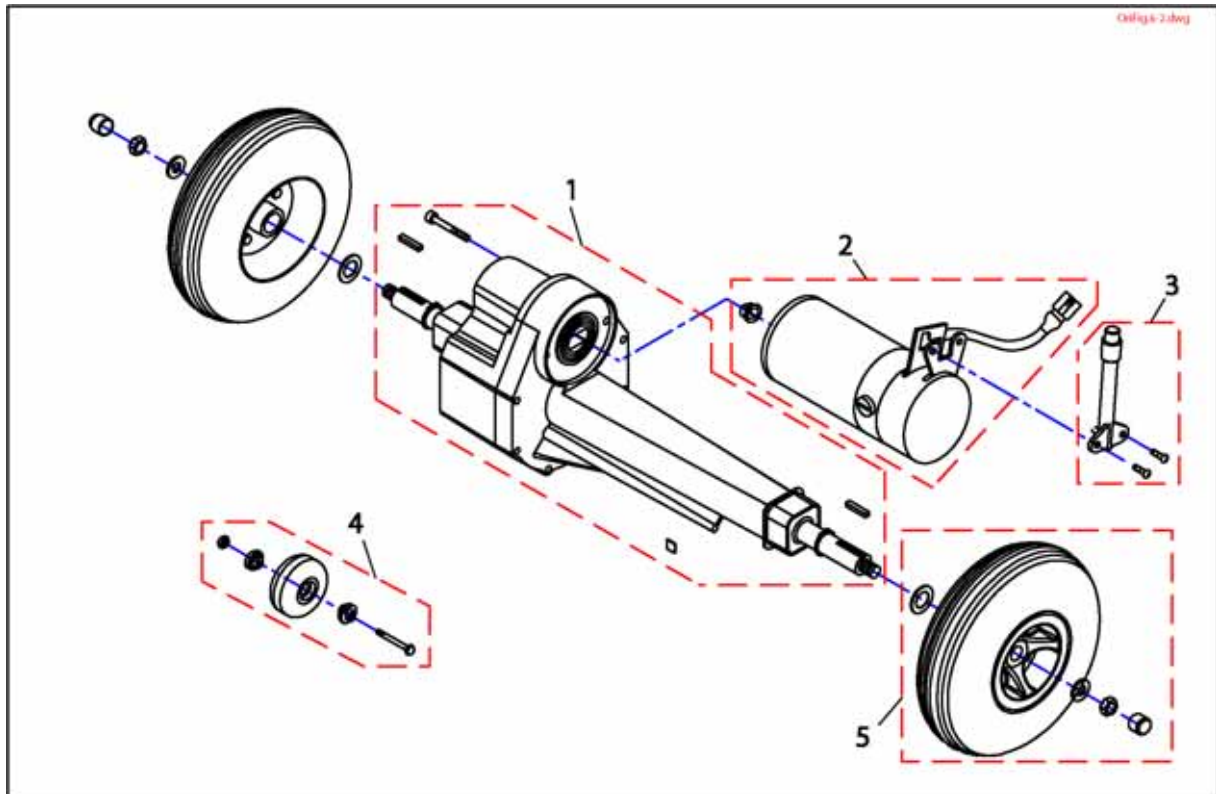
Pos.	Part number	Description	Qty
1	SP1518196	Spring, Front Wheel	1
2	SP1505487	Bearing	1
3	SP1518077	Front Rod Assembly	1
4	SP1518237	Front Axle LH	1
5	SP1518238	Front Axle RH	1
6	SP1518078	Rear Rod Assembly	1
7	SP1518333	Front Wheel Assembly	1

Rear Wheels & Propulsion 6/10 km/h



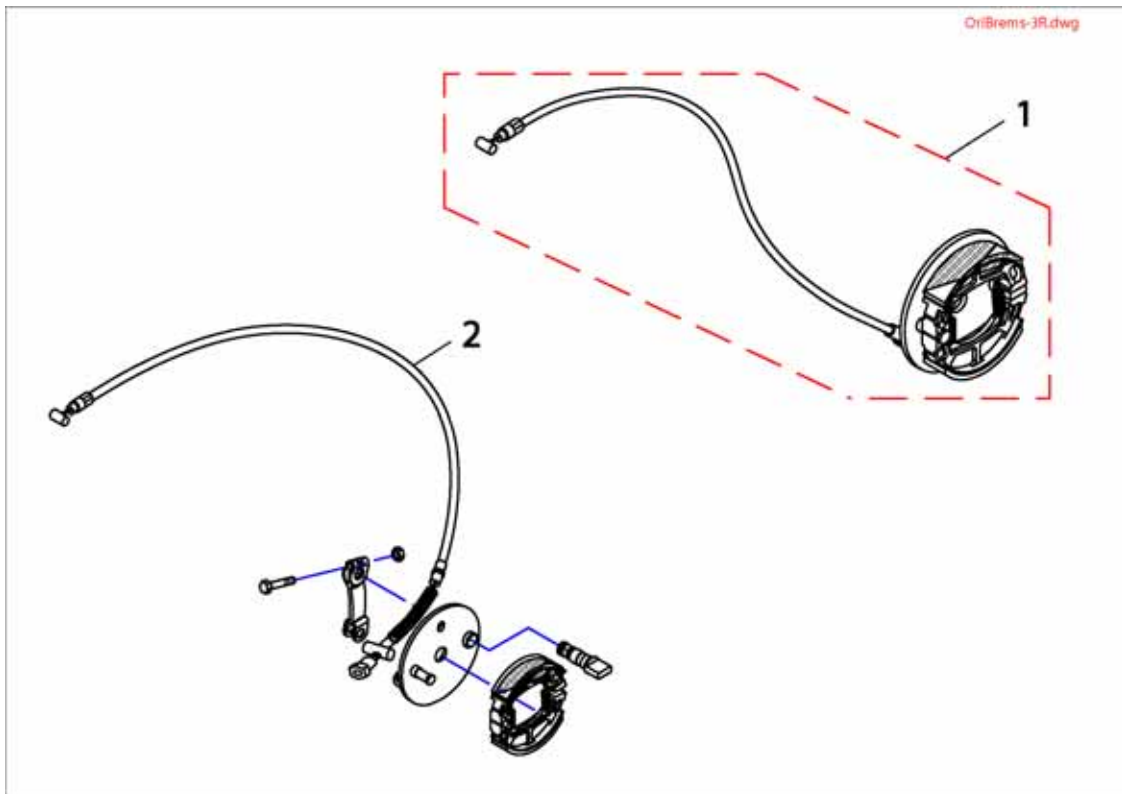
Pos.	Part number	Description	Qty
1	SP1521590	Differential 6/10 km/h	1
2	SP1518376	Motor 6 km/h	1
2	SP1518377	Motor 10 km/h	1
3	SP1505672	Lever	1
4	SP1505676	Wheel, Anti-Tipper	1
5	SP1518378	Rear Wheel Assembly	1

Rear Wheels & Propulsion 12 km/h



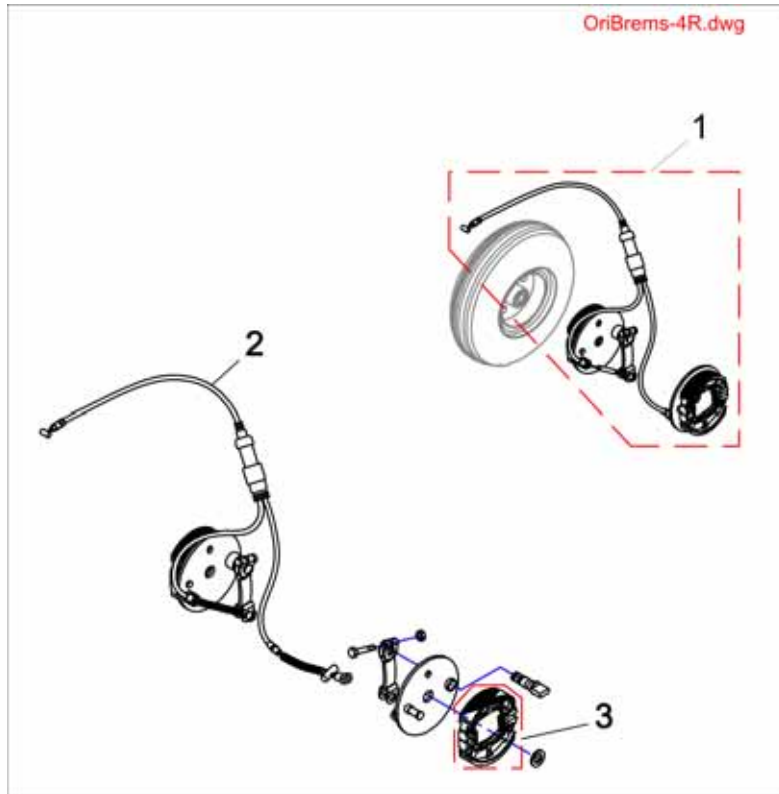
Pos.	Part number	Description	Qty
1	SP1521591	Differential 12 km/h	1
2	SP1518390	Motor 12 km/h	1
3	SP1505672	Lever	1
4	SP1505676	Wheel, Anti-Tipper	1
5	SP1518378	Rear Wheel Assembly	1

Brakes 3 Wheeler



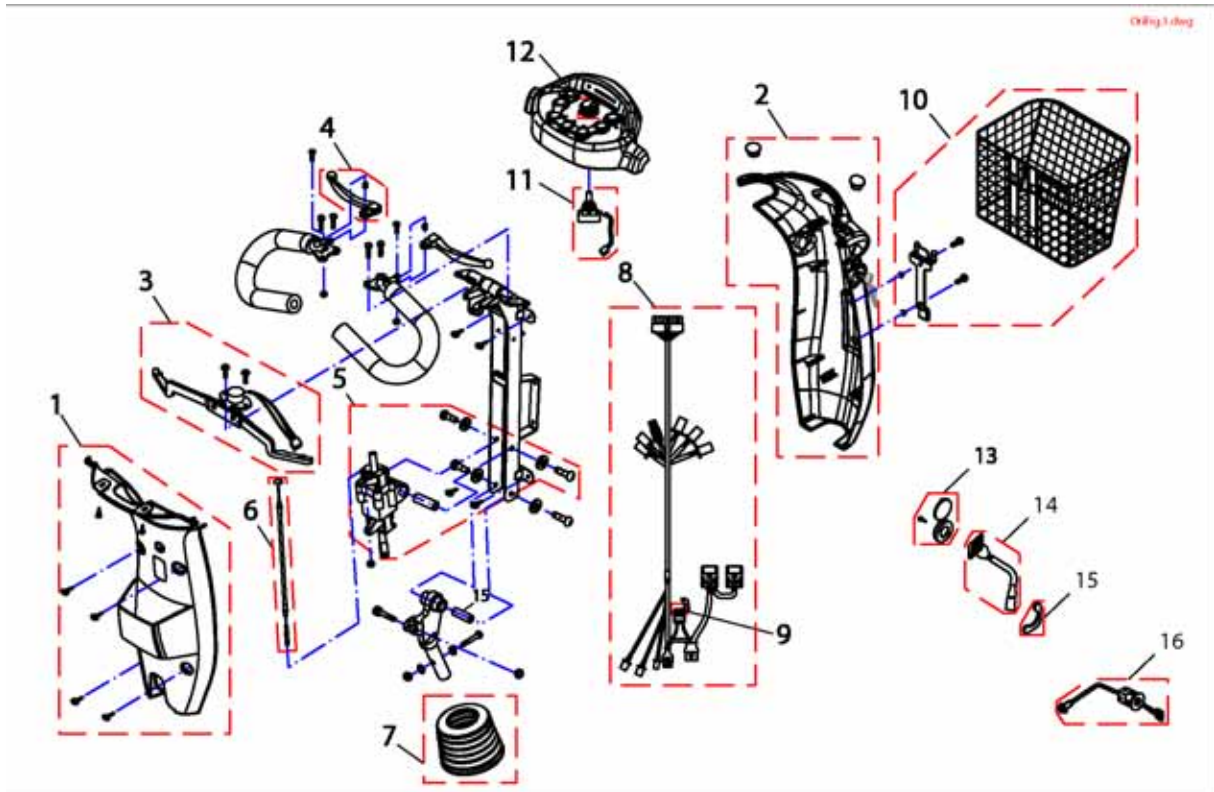
Pos.	Part number	Description	Qty
1	SP1521588	Brake Assembly 3 Wheeler	1
2	SP1518419	Break Cable 3 Wheeler	1

Brakes 4 Wheeler



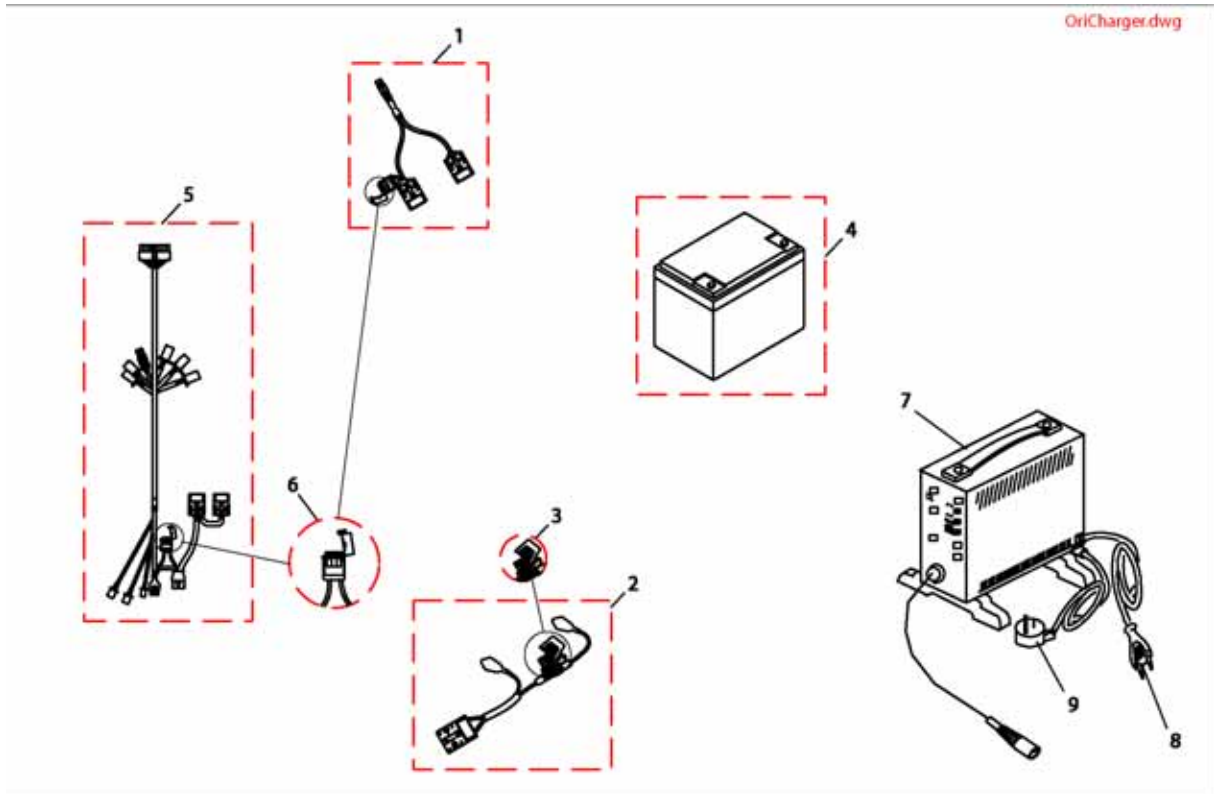
Pos.	Part number	Description	Qty
1	SP1521589	Brake Assembly 4 Wheeler	1
2	SP1518422	Break Cable 4 Wheeler	1

Steering



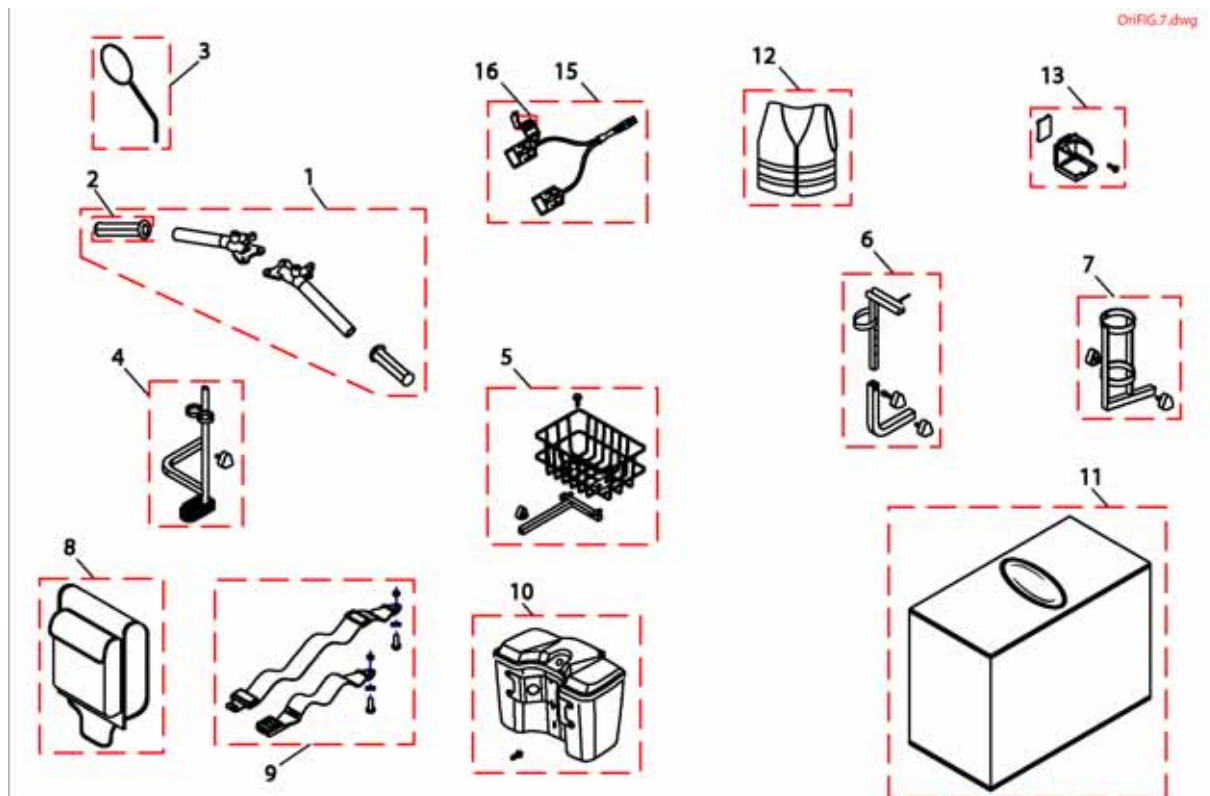
Pos.	Part number	Description	Qty
1	SP1521497	Cover, Steering Rear compl.	1
2	SP1521495	Cover, Steering Front compl., silver	1
2	SP1521659	Cover, Steering Front compl., blue	1
3	SP1521575	Starter	1
4	SP1521578	Regulator Rod RH/LH	1
5	SP1505279	Steering Adjustment	1
6	SP1521583	Cable	1
7	SP1521586	Cover , Steering Joint	1
8	SP1521576	Wire, Harness	1
9	SP1521577	Fuse 10A	1
10	SP1521584	Basket, Front	1
11	1505462	Variable Resistor Comp. 30.0Ko	1
12	1505460	Knob, Speed Control	1
13	SP1523534	Cover, AC-Inlett	1
14	SP1523543	Ac-Inlett	1
15	SP1523544	Plate	1
16	1505451	Main Switch	1

Cable & Charger



Pos.	Part number	Description	Qty
1	SP1521644	Off-Board Charging Kit	1
2	SP1521696	Wire, Battery Output	1
3	1505500	Fuse (70Amp)	1
4	SP1521695	Battery 12V/50Ah	1
5	SP1521576	Wire, Harness	1
6	SP1521577	Fuse 10A	1
7	P51981	Universal Charger Complete	1
8	P21079	Charger Power Cable	1
8	1466783	Charger Power Cable (Switzerland)	1

Accessories



Pos.	Part number	Description	Qty
1	SP1518330	Handle Bar	1
2	1505415	Grip, Handle Bar	1
3	SP1518241	Back Mirror	1
4	1505684	Cane Bracket	1
5	1505727	Rear Basket Comp.	1
6	1505728	Bracket Assembly , Walker	1
7	1505729	Oxygen Cylinder Comp	1
8	1505731	Bag, Seat Rear	1
9	SP1518274	Seatbelt	1
10	SP1521595	Box Assembly, silver	1
10	SP1521661	Box Assembly, blue	1
11	SP1518240	Guard	1
12	SP1521592	Traffic Safety Vest	1
13	SP1521594	Drink Holder Assembly	1
14	SP1521684	Seatcover	1
16	SP1521577	Fuse 10A	1
15	SP1521644	Off-Board Charging Kit	1

User Manuals**deutsch****english****français****netherlands****español****portugues****suomi****svenska****norsk****dansk****italiano****estonian****croatian****slovak****slovenian****polish****hungarian****czech**

Pos.	Part number	Description	Qty
1	1514694	UserManual Orion German	1
2	1514695	UserManual Orion English	1
3	1514721	UserManual Orion French	1
4	1514724	UserManual Orion Dutch	1
5	1514720	UserManual Orion Spanish	1
6	1514727	UserManual Orion Portuguese	1
9	1514725	UserManual Orion Norwegian	1
10	1514693	UserManual Orion Danish	1
11	1514722	UserManual Orion Italian	1
12	1517334	UserManual Orion Estonian	1
15	1514771	UserManual Orion Slovenian	1
16	1514726	UserManual Orion Polish	1
8	1514820	UserManual Orion Swedish	1
19	1514609	UserManual Orion Czech	1
20	1514723	UserManual Orion Lithuanian	1



Yes, you can.®



Belgium & Luxemburg:

Invacare nv, Autobaan 22, B-8210 Loppem - Tel: (32) (0)50 83 10 10, Fax: (32) (0)50 83 10 11
belgium@invacare.com

Danmark:

Invacare A/S, Sdr. Ringvej 39, DK-2605 Brøndby - Tel: (45) (0)36 90 00 00, Fax: (45) (0)36 90 00 01
denmark@invacare.com

Deutschland & Eastern Europe:

Invacare Aquatec, Alemannenstraße 10, D-88316 Isny - Tel: (49) (0)75 62 7 00 0, Fax: (49) (0)75 62 7 00 66
info@invacare-aquatec.de

España:

Invacare SA, c/Areny s/n, Polígon Industrial de Celrà, E-17460 Celrà (Girona) - Tel: (34) (0)972 49 32 00, Fax: (34) (0)972 49 32 20
contactsp@invacare.com

France:

Invacare Poinier SAS, Route de St Roch, F-37230 Fondettes - Tel: (33) (0)2 47 62 64 66, Fax: (33) (0)2 47 42 12 24
contactfr@invacare.com

Ireland:

Invacare Ireland Ltd, Unit 5 Seatown Business Campus, Seatown Road, Swords, County Dublin - Ireland
Tel: (353) 1 810 7084, fax: (353) 1 810 7085
eire@invacare.com

Italia:

Invacare Mecc San s.r.l., Via dei Pini 62, I-36016 Thiene (VI) - Tel: (39) 0445 38 00 59, Fax: (39) 0445 38 00 34
italia@invacare.com

Nederland:

Invacare BV, Celsiusstraat 46, NL-6716 BZ Ede - Tel: (31) (0)318 695 757, Fax: (31) (0)318 695 758
mobility@invacare.com, care@invacare.com

Norge:

Invacare AS, Grensesvingen 9, Postboks 6230, Etterstad, N-0603 Oslo - Tel: (47) (0)22 57 95 00, Fax: (47) (0)22 57 95 01
norway@invacare.com, island@invacare.com

Österreich:

Mobitec Mobilitätshilfen GmbH, Herzog Odilostrasse 101, A-5310 Mondsee - Tel: (43) 6232 5535 0, Fax: (43) 6232 5535 4
office@mobitec-austria.com, austria@invacare.com

Portugal:

Invacare Lda, Rua Senhora de Campanhã 105, P-4369-001 Porto - Tel: (351) (0)225 1059 46/47, Fax: (351) (0)225 1057 39
portugal@invacare.com

Sverige & Suomi:

Invacare AB, Fagerstagatan 9, S-163 91 Spånga - Tel: (46) (0)8 761 70 90, Fax: (46) (0)8 761 81 08
sweden@invacare.com, finland@invacare.com

Switzerland:

Mobitec Rehab AG, Benkenstrasse 260, CH-4108 Witterswil - Tel: (41) (0) 61 487 70 80, Fax: (41) (0) 61 487 70 81
office@mobitec-rehab.ch, switzerland@invacare.com

United Kingdom:

Invacare Ltd, South Road, Bridgend Industrial Estate, UK-Bridgend CF31 3PY - Tel: (44) (0)1656 664 321, Fax: (44) (0)1656 667 532
uk@invacare.com