

Spare Parts Catalogue

Version: 2010/10/07a EN



Invacare® **LEO**



Yes, you can.®

General Information

For any order of spare parts the following information is required:

- Product type*
- Product name & model*
- Serial Number*
- Part-Number*
- Part-Description*

Exploded view drawings and code numbers are not contractual and subject to modification, in relation to Invacare® continuous product improvement policy to meet end users needs.

The reproduction or use of this work, or of any substantial part of this work, in any form or by any electronic, mechanical or other means, including photocopying, scanning and recording, and in any information storage and retrieval system, including electronic transmission, is forbidden without the prior written permission of Invacare® International Sarl.



Yes, you can.®

TABLE OF CONTENTS

Information

User Manuals Leo	5
------------------------	---

Chassis

Rear Chassis	6
Front Chassis	8

Seat

Seat Unit	10
-----------------	----

Front Wheels

Front Wheel Unit	11
------------------------	----

Rear Wheels

Rear Wheel Unit & Propulsion	12
------------------------------------	----

Controls Adjustment

Steering	13
Steering Unit, Details	15
Programming-Kit	16

Safety Options

Rear Light Unit	17
Front Light Unit	18

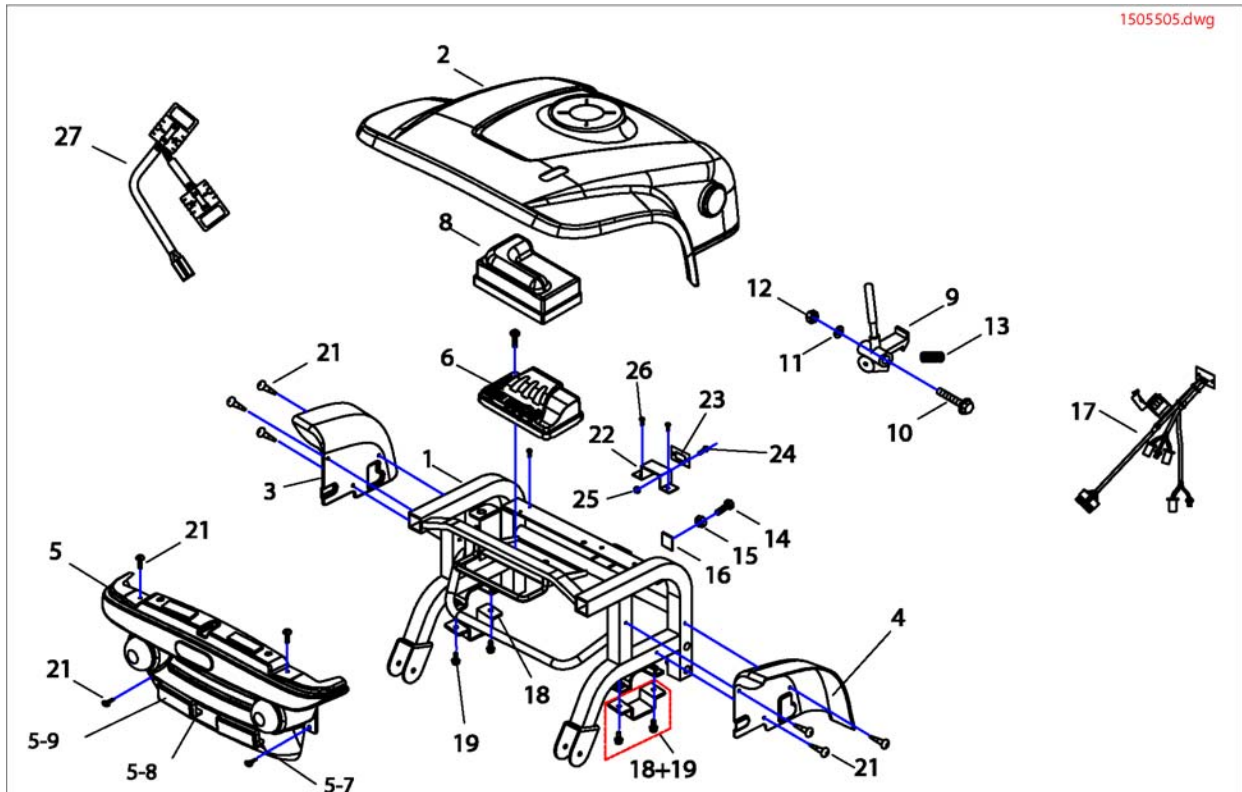
Others Options & Accessories

Accessories	19
-------------------	----

CS ČESKY	FR FRANÇAIS	PL POLSKI
DA DANSK	HR HRVATSKI	PT PORTUGUÊS
DE DEUTSCH	HU MAGYAR	SK SLOVENČINA
EN ENGLISH	IT ITALIANO	SL SLOVENŠČINA
ES ESPAÑOL	LT LIETUVIŲ KALBA	SV SVENSKA
ET EESTI KEEL	NL NEDERLANDS	RO ROMÂNĂ
FI SUOMEN KIELI	NO NORSK	JA 日本語

Pos.	Part number	Description	Valid from → until	Qty
	DE 1505501	User Manual Leo German		1
	EN 1506942	User Manual Leo English		1
	FR 1506943	User Manual Leo French		1
	ES 1506944	User Manual Leo Spanish		1
	PT 1506945	User Manual Leo Portuguese		1
	IT 1506972	User Manual Leo Italian		1
	DA 1506973	User Manual Leo Danish		1
	SV 1506974	User Manual Leo Swedish		1
	NL 1506975	User Manual Leo Dutch		1
	SL 1509984	User Manual Leo Slovenian		1
	CZ 1510579	User Manual Leo Czech		1
	PL 1510580	User Manual Leo Polish		1
	HR 1510612	User Manual Leo Croatian		1
	LT 1510613	User Manual Leo Lithuanian		1
	ET 1510843	User Manual Leo Estonian		1
	HU 1522408	User Manual Leo Hungarian		1
	FI 1527871	User Manual Leo Finsk		1

Rear Chassis

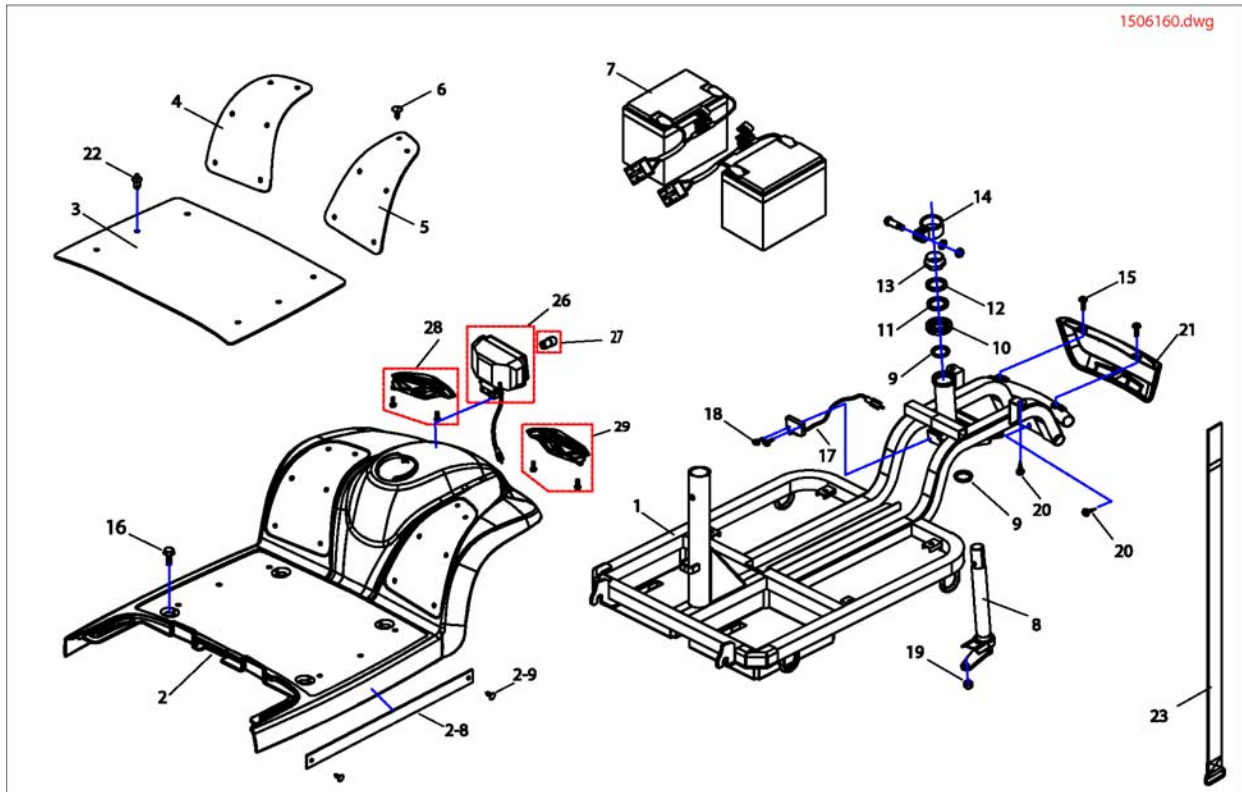


Pos.	Part number	Description	Valid from → until	Qty
2	SP1540347	Shroud Rear Comp., Onyx Blue		1
1	1505505	Suspension Comp, Rear		1
2	1505506	Shroud Rear Comp., Blue		1
2	1505885	Shroud Rear Comp., Silver		1
3	1505509	Fender Left		1
3,21	1506234	Fender Left, Cpl.		1
4	1505510	Fender Right		1
4,21	1506235	Fender Right, Cpl.		1
5	1505523	Cover, Bumper Rear		1
5	SP1515268	Rear Bumper, cpl.		1
5	SP1533551	Rear Bumper cpl., (only German-Leo)		1
5-7	SP1515269	Reflector, Stay RH With Reflector (Only German-Leo)		1
5-8	SP1515282	Reflector, Stay LH Cmpl. With Reflector (Only German-Leo)		1
5-9	SP1515283	Reflector (Only German-Leo)		1
5,21	1506312	Cover, Bumper Rear, Cpl.		1
6	1505508	Controller Dynamic Dr-90		1
8	1505507	Cable Cover		1
9	1505513	Spring Washer Assembly		1
9-13	1506277	Spring Washer Assembly, Cpl.		1
10	1505514	Bolt (M8x50)		1
11	1505281	Plane Washer		1
12	-	Nylon Nut		1
13	1505515	Spring		1
14	1505520	Bolt (M8x35)		1
14-1	1506286	Vel-Cro (32L), Cpl.		1
6				
15	1505521	Nut		1
16	1505522	Vel-Cro (32L)		1
17	1505516	Wire Harness, Rear Sec		1
18	1505511	Holder, Differential		1
18,1	1506255	Holder, Differential, Cpl.		1
9				

Rear Chassis

Pos.	Part number	Description	Valid from → until	Qty
18,1 9	SP1515286	Holder Differential		1
19	-	Bolt (M6x16)		1
21	1505418	Tapping Screw (4x12)		1
22	1505517	Plug, P.C.Board		1
22-2 6	1506285	P.C.Board, Cpl.		1
23	1505518	Rubber, P.C.Board		1
25	1505519	Nylon Nut		1
27	SP1527123	Part not for sale		1

Front Chassis



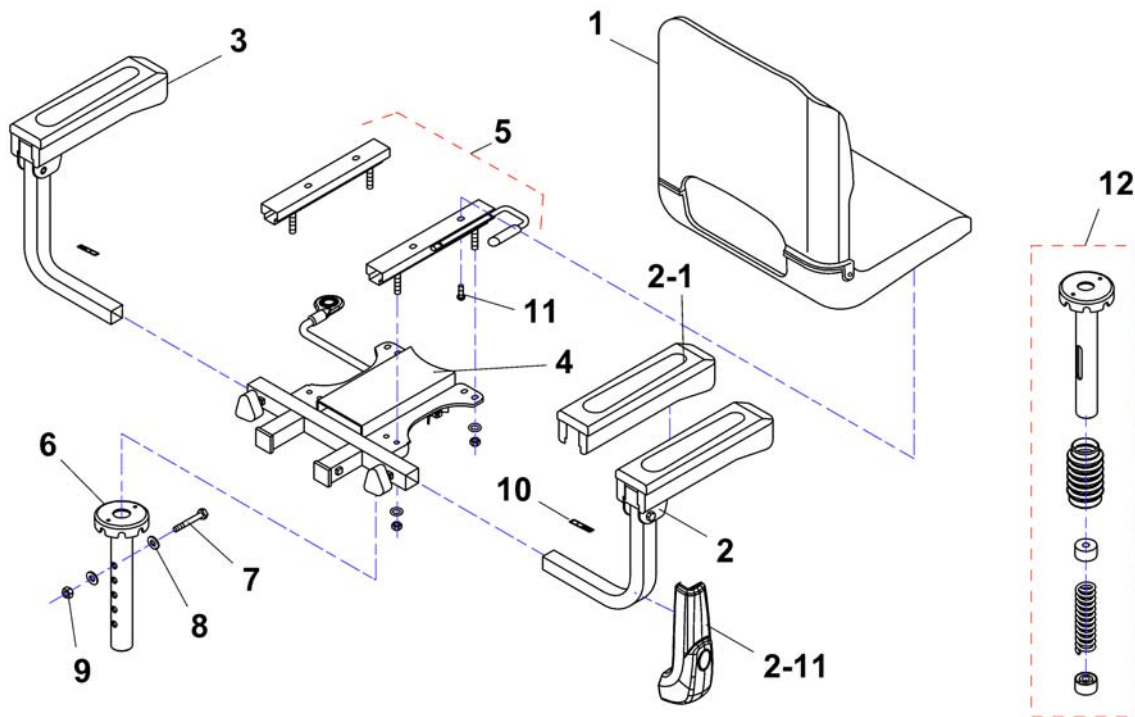
Pos.	Part number	Description	Valid from → until	Qty
2,16	SP1540346	Shroud Front Assembly, Onyx Blue, Cpl.		1
2	SP1540345	Shroud Front Assembly, Onyx Blue		1
1	1505485	Frame Comp , Front		1
2	1505884	Shroud Front Assembly, Silver		1
2	SP1515264	Front Shroud, Cmpl. (Only German-Leo)		1
2	1505480	Shroud Front Assembly, Blue		1
2,16	1506162	Shroud Front Assembly, Blue, Cpl.		1
2,16	1506163	Shroud Front Assembly, Silver Cpl.		1
3	1505475	Pad, Leg Shield		1
3,22	1506160	Pad, Leg Shield Cpl.		1
4	1505477	Pad, Front L		1
5	1505478	Pad, Front R		1
4-6	1506161	Pad, Front LH + RH		1
8	1505486	Bar Assembly		1
9	-	Balls Set		1
11	-	Washer Tooth		1
12	-	Plane Washer		1
13	-	Nut, Steering Stem Lock		1
14	-	Padlock		1
15	1505494	Bolt (M4x10)		1
15,2 0,21	1506187	Cover, Bumper Front, Cpl.		1
16	1505481	Bolt, Shield (M6x16)		1
19	-	Nylon Nut		1
20	1505418	Tapping Screw (4x12)		1
21	1505493	Cover, Bumper Front		1
22	1505476	Push Rivet, Pad		1
23	1505482	Band, Battery Comp.		1
26	SP1515266	Front Light (Only German-Leo)		1
27	1521694	Light Bulb 24V/9W		1
28	1506188	Lamp Ass'Y, Front Turn Signal-L, Cpl.		1
28	SP1515287	Turn Light LH (Only German-Leo)		1

Front Chassis

Pos.	Part number	Description	Valid from → until	Qty
29	1506189	Lamp AssçY, Front Turn Signal-R, Cpl.		1
29	SP1515288	Turn Light RH (Only German-Leo)		1

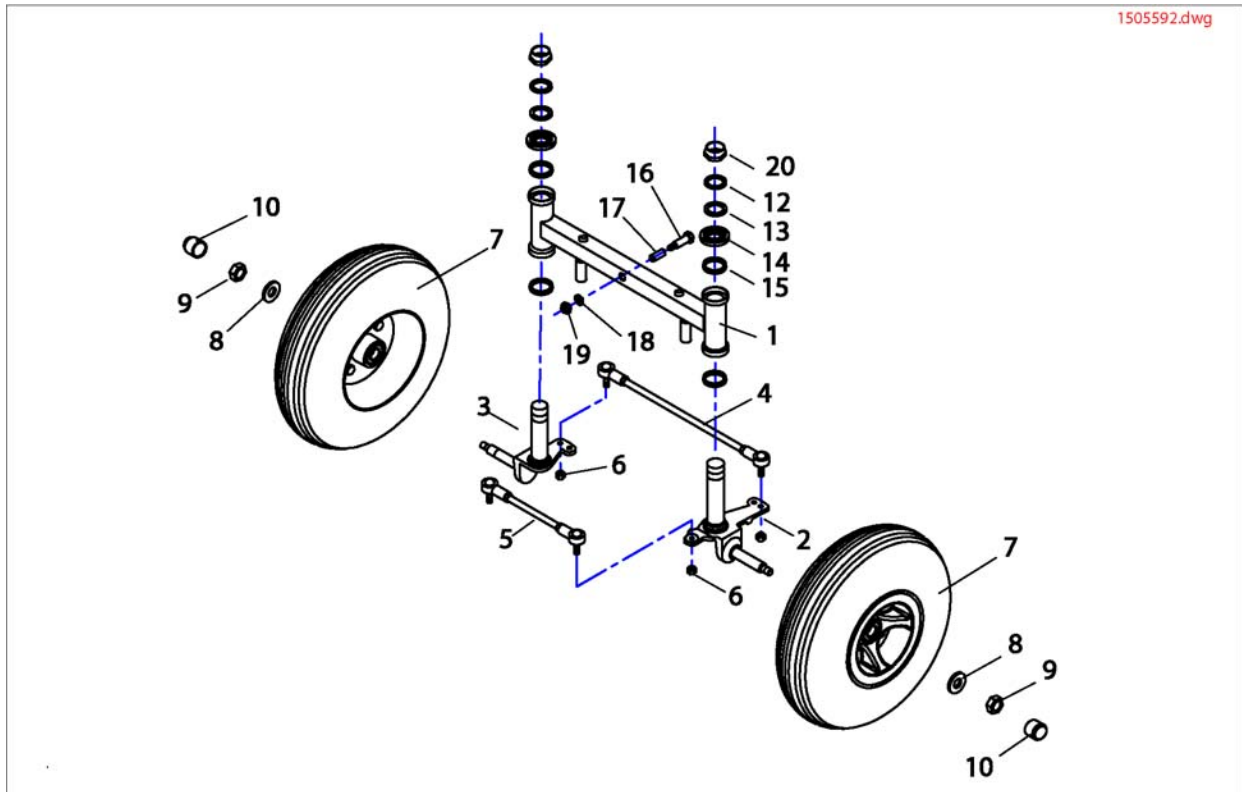
Seat Unit

1505531.dwg



Pos.	Part number	Description	Valid from → until	Qty
1,4,5 ,11	1509668	Seat cpl. (grey/black)		1
1,4,5 ,11	SP1541370	Seat cpl. (black/black)		1
1	1505531	Seat (grey/black)		1
1	SP1541369	Seat (black/black)		1
4	1505533	Seatbracket Assembly		1
5	1505532	Slide Assembly		1
11	1505534	Bolt, Slide Cpl. (M8x15)		1
3,10	1506313	Handrail Bracket LH, Cpl.		1
3	1505535	Handrail Bracket Cpl. LH		1
10	1505536	Caution Button Stop		1
2,10	1506314	Handrail Bracket. RH, Cpl.		1
2	1505585	Handrail Bracket Cpl. RH		1
6-9	1506315	Holder, Guide, Cpl.		1
6	1505586	Holder, Guide		1
7	1505587	Bolt (M10x55)		1
8	1505588	Washer		1
9	-	Nylon Nut		1
2-1	1509683	Rest, Handrail		1
2-11	1509682	Cover, Armrest		1
12	SP1541627	Seatsuspension for seathight 510mm		1
12	SP1541628	Seatsuspension for seathight 535mm		1
12	SP1541629	Seatsuspension for seathight 560mm		1

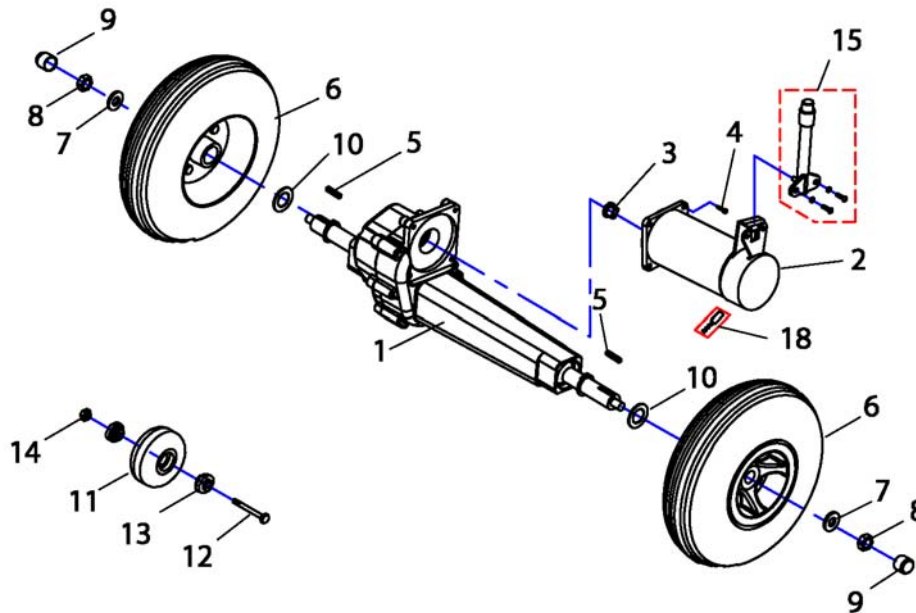
Front Wheel Unit



Pos.	Part number	Description	Valid from → until	Qty
1	SP1528859	Swingarm		1
2	1505605	Front Axle Comp. RH		1
2,11-15	1506316	Front Axle RH, Cpl.		1
3	1505606	Front Axle Comp. LH		1
3,11-15	1506317	Front Axle LH, Cpl.		1
4	SP1533204	Front rod assembly		1
5	SP1533205	Rear rod assembly		1
7	1505592	Front Wheel Assembly		1
7	SP1543156	PU tyre with rim 10 inch front wheel		1
7.2	1505590	Tire Front Wheel		1
7.1	1515289	Tube, Front-Tire		1
8	-	Plane Washer		1
9	-	Nylon Nut		1
10	1505594	Cap, Nut		1
11	-	Nut, Steering Stem Lock		1
12	-	Plane Washer		1
13	-	Washer Tooth		1
15	-	Balls Set		1

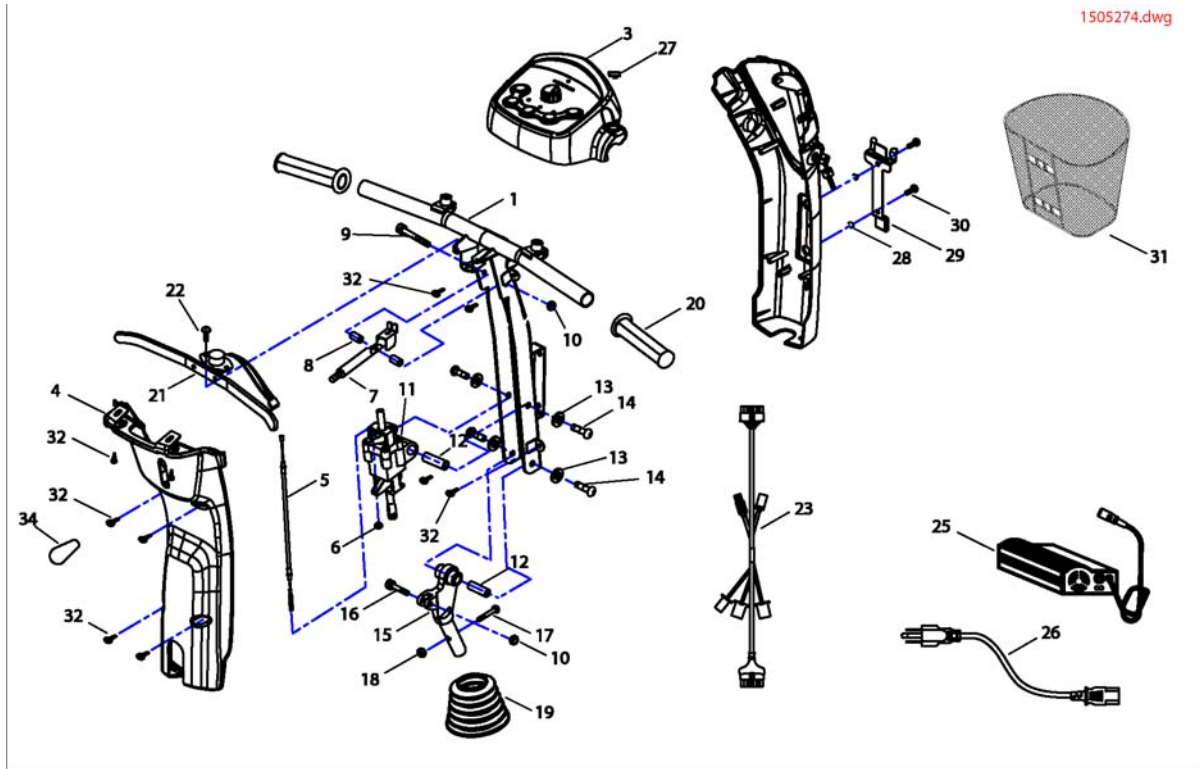
Rear Wheel Unit & Propulsion

1505616.dwg



Pos.	Part number	Description	Valid from → until	Qty
1	1505616	Differential Comp.		1
2	1505617	Motor Assembly		1
3	-	Guide		1
4	1505668	Bolt, Motor (M6x20)		1
5	-	Key		1
7	1505671	Plane Washer, Rear Wheel		1
8	-	Nylon Nut		1
9	1505594	Cap, Nut		1
10	1505670	Plane Washer		1
15-1	1506318	Lever Cpl.		1
7				
15	SP1505672	Disclutching Lever 113,2 mm		1
6	1505675	Rear Wheel Assembly		1
6	SP1543155	PU tyre with rim 10 inch rear wheel		1
11-1	1506319	Wheel, Anti-Tipper, Cpl.		1
4				
12	-	Bolt, Anti Tipper (M6x40)		1
13	-	Bearing, Anti-Tipper		1
14	-	Nylon Nut		1
7-9	1506320	Plane Washer, Rear Wheel, Cpl.		1
5-10	1506321	Key, Shaft, Cpl.		1
18	SP1534599	Carbon Brushes		1

Steering

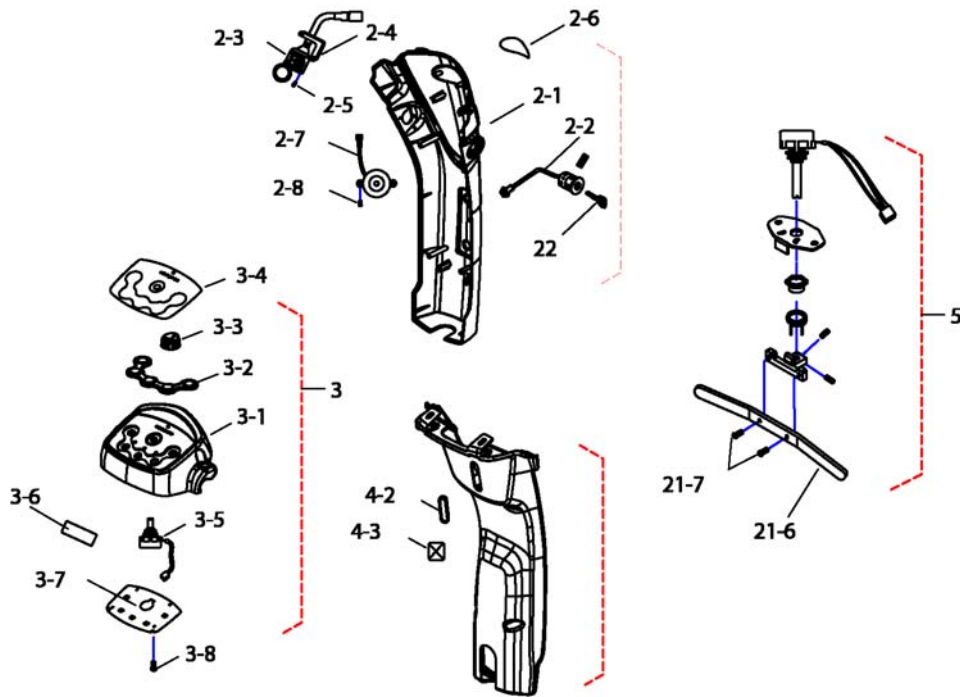


Pos.	Part number	Description	Valid from → until	Qty
7-10	1505915	Handle, Cmpl.		1
11-1 4	1505916	Cable Comp.		1
28-3 0	1505924	Basket Holder CPL.		1
10,1 2-18	1505923	Steering Adj Assembly Cpl.		1
3,32, 27	1505950	Cover, Steering Upper Assembly, Cpl		1
1	1505274	Steering Blue Comp.		1
3	1505419	Cover, Steering Upper Assembly		1
4	1505417	Cover, Steering Rear Assembly		1
4,32	1505925	Cover, Steering Rear Assembly, Cpl.		1
5	1505295	Cable		1
6	1505296	Nylon Nut		1
5,6	1505917	Bolt, Joint (M6x50)		1
7	1505275	Handle		1
8	1505276	Collar		1
9	1505277	Bolt (M6x50)		1
10	1505278	Nylon Nut		1
12	1505280	Collar		1
13	1505281	Plane Washer		1
14	-	Bolt (M8x20)		1
15	1505297	Joint B, Steering Adj Lower		1
16	1505328	Bolt (M6x30)		1
17	-	Bolt, Joint		1
18	-	Nylon Nut		1
19	1505401	Cover Steering		1
20	1505415	Grip, Handle Bar		1
21,2 2	1506151	Starter Assembly, Cpl.		1
23	1505402	Main Loom		1
23	SP1537253	Main loom, for external headlight		1

Steering

Pos.	Part number	Description	Valid from → until	Qty
25	1505409	Charger 24 DC/5Amp		1
26	P21079	Charger Power Cable (Shockproof Plug)		1
26	P21080	UK 3 Pin Mains Lead		1
27	1505420	Rubber		1
28	1505403	Washer		1
29	1505407	Basket Holder		1
30	1505408	Bolt (M4x12)		1
31	1505414	Basket, Front		1
32	1505418	Tapping Screw (4x12)		1
34	1505416	Handle		1

1505450.dwg



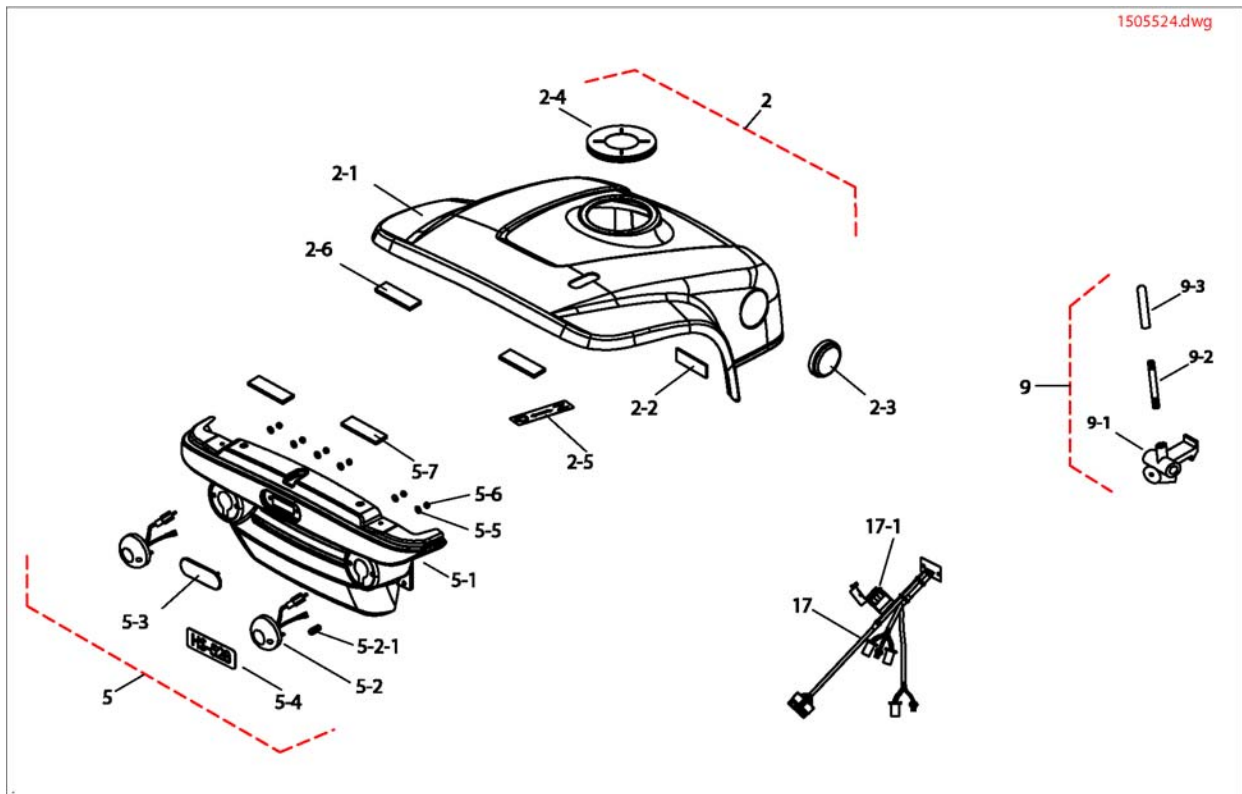
Pos.	Part number	Description	Valid from → until	Qty
2-1	SP1540344	Cover, Steering Front, onyx blue		1
2-1	1505858	Cover, Steering Front, Silver		1
2-1	1508500	Cover, Steering Front, Blue		1
2-2	1505451	Main Switch		1
2-2	SP1543154	Main Switch with two personal keys		1
2-3	1505452	Wire		1
2-5	1505454	Bolt		1
2-3,2	1506152	Wire, Cpl.		1
-5				
2-6	1505455	Invacare Sticker		1
2-7	1505456	Buzzer Comp.		1
2-8	-	Screw (M3x10)		1
2-7,2	1506153	Buzzer Comp.		1
-8				
3	1505419	Cover, Steering Upper Assembly		1
3-1	1505458	Cover, Steering Upper		1
3-2	1505459	Xi Rubber Pressed Key		1
3-3	1505460	Knob, Speed Control		1
3-4	1505461	Sticker, Cap		1
3-5	1505462	Variable Resistor Comp. 30.0Ko		1
3-6	1505463	Sticker Warning		1
3-7	1505464	P.C.Board		1
3-8	1505465	Bolt (M3x8)		1
3-7,3	1506154	P.C.Board, Cpl.		1
-8				
4-2	1505473	Plug		1
4-3	1505474	Warm Ban To Hang Sticker		1
5	SP1536173	Part not for sale		1
21-6	1505472	Start Lever		1
21-6,	1506155	Start Lever, Cpl.		1
21-7				
22	SP1530211	Key		1

Programming-Kit



Pos.	Part number	Description	Valid from → until	Qty
-	1449280	USB Wizard Dongle Kit, EDL-USB, cpl.		1
1	1505733	Programmer Kit		1

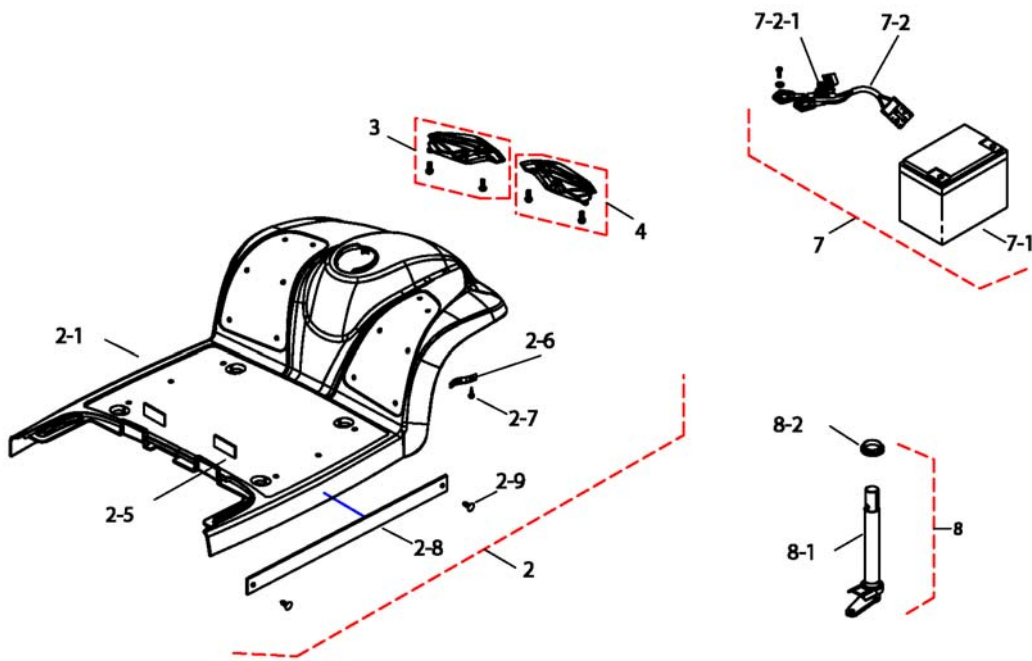
Rear Light Unit



Pos.	Part number	Description	Valid from → until	Qty
2-3	1505525	Reflector-Y E Mark		1
2-4	1505524	Cover, Seatc Bracket Lower		1
2-5	1505530	Sticker Rear Body Change Laver		1
5-2	1505526	Rear Turn Signal		1
5-2-1	1505527	Bulb 24V/5W		1
5-3	1505528	Rear Stoplight		1
17-1	1505529	Fuse 7.5Amp.		1

Front Light Unit

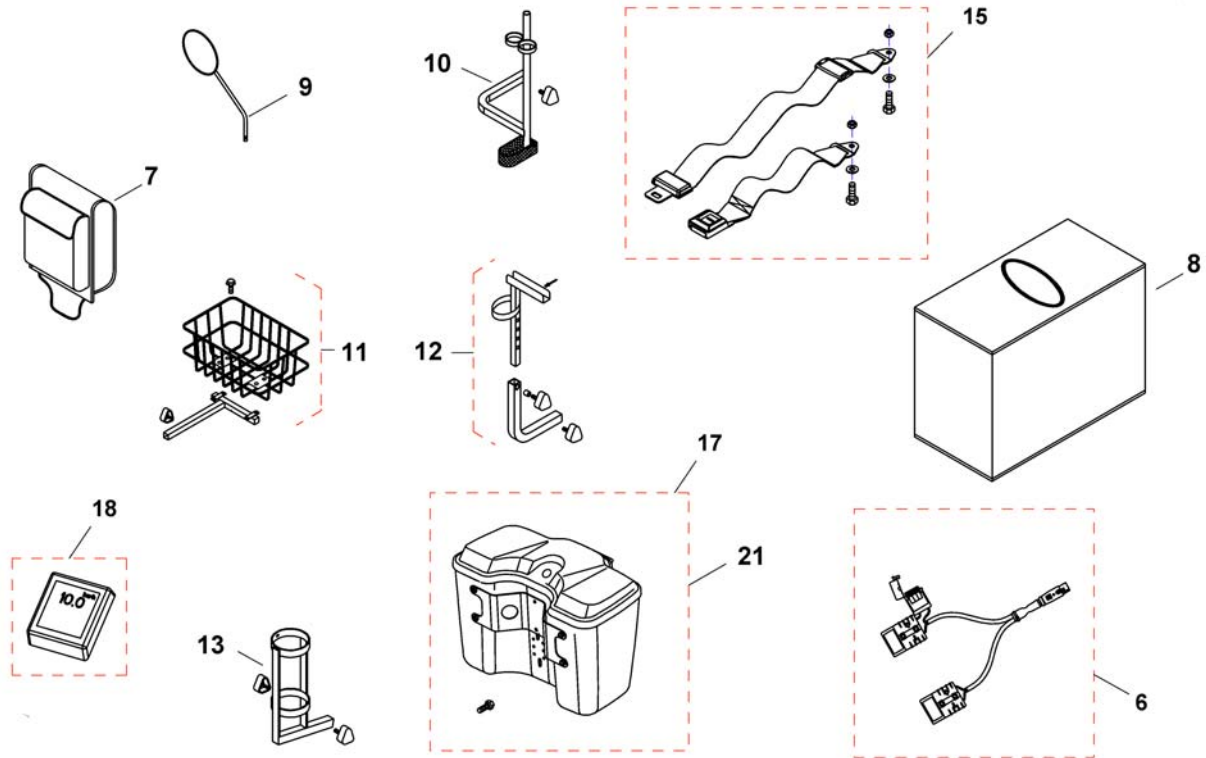
1506188.dwg



Pos.	Part number	Description	Valid from → until	Qty
2-6	1505497	Clamp, Wire		1
2-6,2 -7	1506212	Clamp, Cpl.		1
7-1	1505498	Battery Comp. 12V-36Ah		1
7-2	1505499	Wire, Battery Output		1
7-2-1	1505500	Fuse (70Amp)		1
3	1506188	Lamp Ass'Y, Front Turn Signal-L, Cpl.		1
4	1506189	Lamp Ass'Y, Front Turn Signal-R, Cpl.		1

Accessories

1505683.dwg



Pos.	Part number	Description	Valid from → until	Qty
6	1511689	Off-Board Charging Kit		1
7	1505731	Bag, Seat Rear		1
8	1509434	GARAGE		1
9	1505683	Back Mirror LH/RH		1
10	1528274	Crutchholder RH/LH		1
11	1505727	Rear Basket Comp.		1
12	1505728	Bracket Assembly , Walker		1
13	1505729	Oxygen Cylinder Comp		1
15	SP1509362	Safety Belt		1
17	1505732	Frontbox-Lockable, blue		1
17	1510056	Frontbox-Lockable, silver		1
17	SP1521661	Front box lockable, onyx blue		1
18	SP1543151	Speedometer Set		1



Yes, you can.®



Belgium & Luxemburg:

Invacare nv, Autobaan 22, B-8210 Loppem
Tel: (32) (0)50 83 10 10, Fax: (32) (0)50 83 10 11
belgium@invacare.com

Danmark:

Invacare A/S, Sdr. Ringvej 37, DK-2605 Brøndby
Tel: (45) (0)36 90 00 00, Fax: (45) (0)36 90 00 01
denmark@invacare.com

Deutschland:

Invacare Aquatec GmbH, Alemannenstraße 10, D-88316 Isny
Tel: (49) (0)75 62 7 00 0, Fax: (49) (0)75 62 7 00 66
info@invacare-aquatec.com

European Distributor Organisation:

Invacare, Kleiststraße 49, D-32457 Porta Westfalica
Tel: (49) (0)57 31 754 540, Fax: (49) (0)57 31 754 541
edo@invacare.com

España:

Invacare SA, c/Areny s/n, Polígon Industrial de Celrà, E-17460 Celrà (Girona)
Tel: (34) (0)972 49 32 00, Fax: (34) (0)972 49 32 20
contactsp@invacare.com

France:

Invacare Poirier SAS, Route de St Roch, F-37230 Fondettes
Tel: (33) (0)2 47 62 64 66, Fax: (33) (0)2 47 42 12 24
contactfr@invacare.com

Ireland:

Invacare Ireland Ltd, Unit 5 Seatown Business Campus, Seatown Road, Swords, County Dublin - Ireland
Tel: (353) 1 810 7084, fax: (353) 1 810 7085
ireland@invacare.com

Italia:

Invacare Mecc San s.r.l., Via dei Pini 62, I-36016 Thiene (VI)
Tel: (39) 0445 38 00 59, Fax: (39) 0445 38 00 34
italia@invacare.com

Nederland:

Invacare BV, Celsiusstraat 46, NL-6716 BZ Ede
Tel: (31) (0)318 695 757, Fax: (31) (0)318 695 758
nederland@invacare.com, cse@invacare.com

Norge:

Invacare AS, Grensesvingen 9, Postboks 6230, Etterstad, N-0603 Oslo
Tel: (47) (0)22 57 95 00, Fax: (47) (0)22 57 95 01
norway@invacare.com, island@invacare.com

Österreich:

Mobitec Mobilitätshilfen GmbH, Herzog Odilostrasse 101, A-5310 Mondsee
Tel: (43) 6232 5535 0, Fax: (43) 6232 5535 4
office@mobitec-austria.com, austria@invacare.com

Portugal:

Invacare Lda, Rua Estrada Velha, 949, P-4465-784 Leça do Balio
Tel: (351) (0)225 1059 46147, Fax: (351) (0)225 1057 39
portugal@invacare.com

Sverige & Suomi:

Invacare AB, Fagerstagatan 9, S-163 91 Spånga
Tel: (46) (0)8 761 70 90, Fax: (46) (0)8 761 81 08
sweden@invacare.com, finland@invacare.com

Switzerland:

Mobitec Rehab AG, Benkenstrasse 260, CH-4108 Witterswil
Tel: (41) (0)61 487 70 80, Fax: (41) (0)61 487 70 81
office@mobitec-rehab.ch, switzerland@invacare.com

United Kingdom:

Invacare Limited, Pencoed Technology Park, Pencoed, Bridgend CF35 5HZ
Switchboard Tel: (44) (0)1656 776200, Fax: (44) (0)1656 776201
Customer services Tel: (44) (0)1656 776222, Fax: (44) (0)1656 776220
UK@invacare.com